



## Intelligent Swing Gate Turnstile

# CPW-322DS

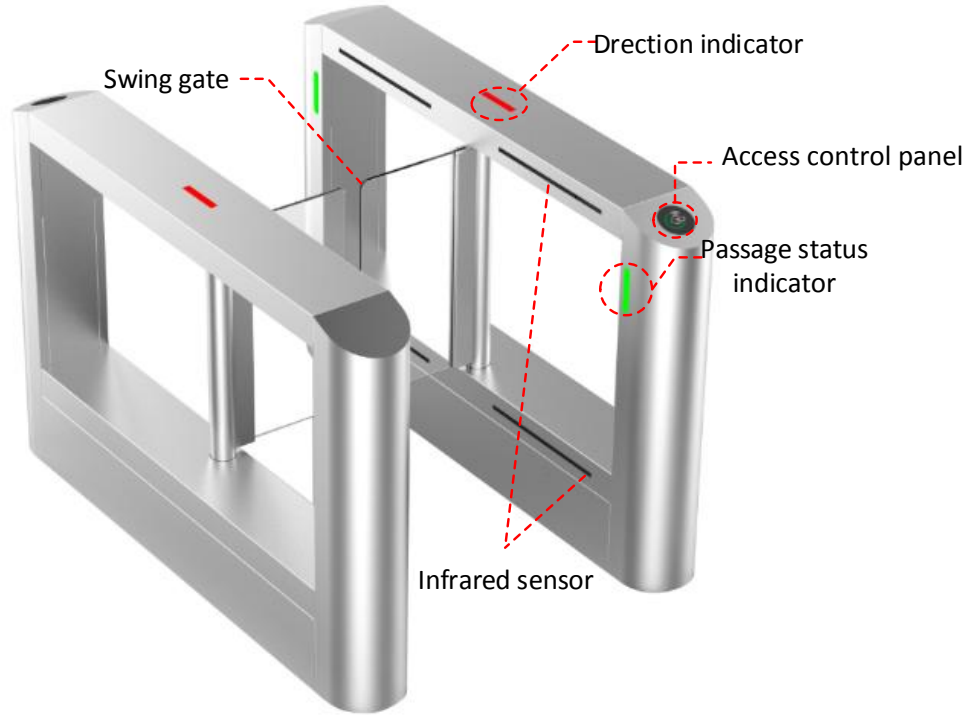
### Product Description and Features

- Suitable for commercial buildings, subways, airports, customs, exhibition halls, government buildings, financial institutions, clubs and other high-end indoor applications.
- The intelligent swing gate turnstile CPW-322DS is transparent and bright, simple and elegant; the housing made of stainless steel is durable.
- The gates are driven by brushless DC motors and a precise positioning encoder, ensuring the swing gate can rotate quickly, accurately and quietly, with low-power consumption, energy conservation and environment protection.
- By using more than 10 pairs of high-performance infrared sensors and exact algorithms, the gate accurately detects the pedestrian's passing position to sense anti-tailgating, reversing, and allow safe passage.
- The wider lane is optional for carrying luggage and wheelchair access.
- Equipped with the dry contact signal input interface, RS485/RS232 interface, TCP/IP interface (optional), compatible with all kinds of access controllers.

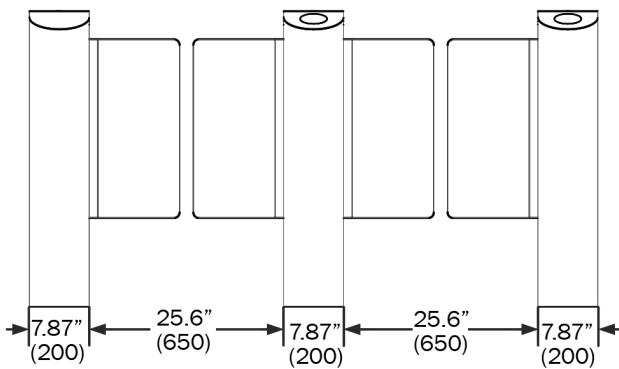
### All-around Personal Safety Protection

- The turnstile opens automatically to evacuate people in the event of an emergency, such as fire, power failure, etc.
- Infrared and mechanical anti-clamping functions provide double protection.
- The gate can be pushed slowly when a sudden impact force is applied beyond the safety range to effectively protect the machine and the pedestrian.
- All electric modules are designed to operate under the safety voltage of 24V, and are configured with a residual current protective device to avoid electric shocks.

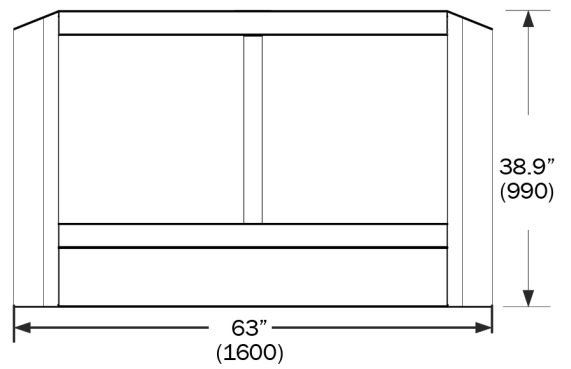
### Structure



### Dimensions: Inches(mm)



Front View



Side view

## Product Specifications

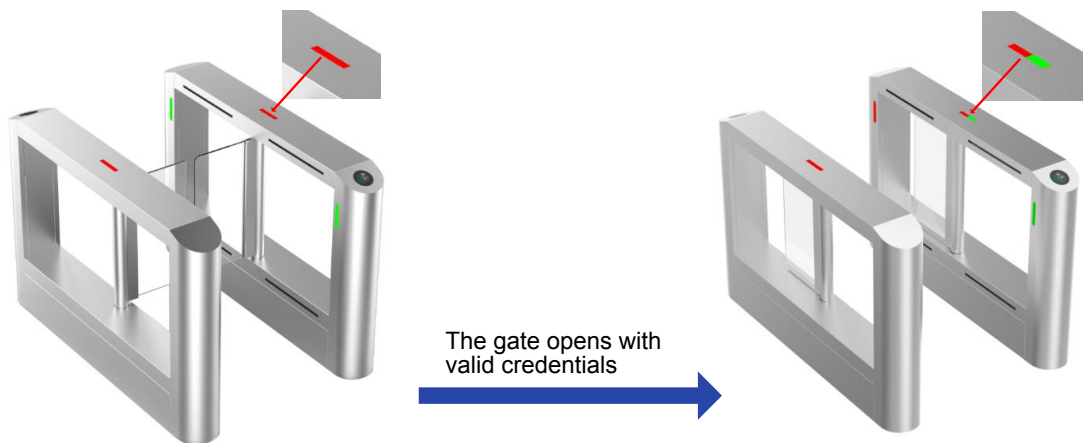
Structure Parameters	
Housing material	304 grade stainless steel
Surface treatment	Brushed finish
Swing gate material	Organic glass
Technical Parameters	
Normal passing	30 ~ 45 people / min (according to the condition of pedestrians)
Evacuate passing	60 people/min (according to the condition of pedestrians)
Opening speed of swing gate	0.3-0.6s
The turning angle of swing gate	±90°
Operation temperature	- 20°C ~60°C
Electric Parameters	
Power supply	AC100-240V , 50/60Hz
Rated power	100W
Control input/output	12 channels relay control output/ 8-channel dry contact signal input
Communication interface	RS485 / RS232; TCP/IP interface (customizable)
Driving motor	DC brushless motor
Method of position	Use the encoder to make sure the swing gate position
Method of motor control	Using high-performance DSP chip

## Operation

### ● Basic Function

- **Passing mode switching function:** The entry and exit can be set independently **【controlled mode】** / **【 free mode 】** / **【 forbidden mode】**
- **Automatic reset function:** The turnstile will open the gate after receiving the legal opening signal when standby. The swing gate will return to the hindered zero position automatically under the following situation:
  - (1) Within the allowed time, pedestrians have been detected in the specified direction passing the passage;
  - 2) Over the allowed time, there is no people has been detected passing in the passage.

- **Self-recovery function:** The swing gates do not return to the hindered zero position because of human intervention. After revoking human intervention, the gate automatically return to the hindered zero position.
- **Automatic adjustment function:** When the turnstiles need to re-adjust because of mechanical wear, the main board can automatically adjust, Accurate and convenient.
- **Memory function of passing requests:** When more than 2 passing signals are given at the same time (including the same direction and opposite direction), the system will remember all the passing requests and finish them one by one. The number can be up to 255.
- **Passing indication function:**
  - (1) **Direction indicator:** The direction indicator is installed on the top of the housing to indicate the legal passing direction.



- (2) **Passing status indicator:** It is installed inside the housing, indicating whether the swing gates can open after receiving the valid signal.

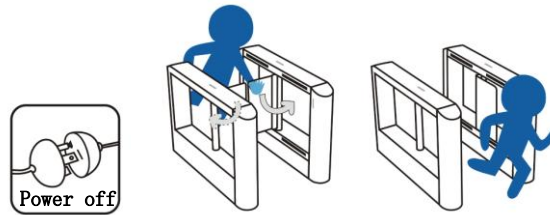


Standby mode

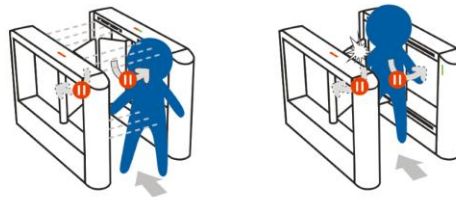


No entry - someone is passing in the opposite direction

- **compatibility:** Equipped with the dry contact signal input interface, RS485/RS232 interface, TCP/IP interface (optional), compatible with all kinds of access controllers.
- **Security Design**
  - **Self-check function when power on:** The system will self-check routinely and alarm when the power is on, and intelligently detect the key hardware and function. Find the hidden danger within the shortest time!
  - **Open gate when the power is failure:** Adopt the leading mechanical structure by original creation; the system will unlock the gate automatically when power is off; manually push the gate to be open and convenient to evacuate people, which meets the fire requirement.



➤ **Anti-clamping function :**

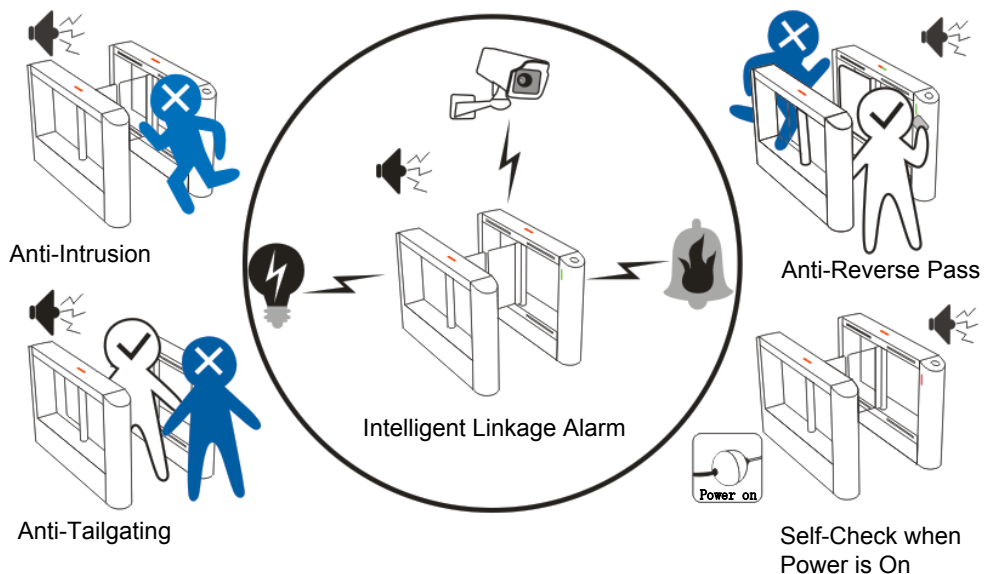


Infrared Anti-Clamping      Mechanical Anti-Clamping

(1) Anti-pinch by infrared sensor: Install multi-pair of infrared sensors near the anti-pinch area where swing gate is moving. Once people or thing is detected within the anti-pinch area, the swing gate will automatically stop moving; until the people or thing leaves the anti-pinch area, the swing gate will continue to move.

(2) Mechanical anti-pinch: The swing gate will automatically stop moving when the swing gate encounter obstacles; the impulse force is within the safety range when the swing gate is moving.

- **Anti-collision function :** When the gate is locked, it can support the impulse force within the safety range. The gate can be manually pushed slowly when it is over the safety range, to protect the mechanism and pedestrian, and then recovers automatically.
- **Emergency escape function :** Equipped with emergency escape control device, the system can automatically open the gate, easy for evacuation.
- **Intelligent linkage alarm :** Illegal traffic events can be linked with other alarm monitoring equipment: such as access control systems, video management systems.



## Custom Options

### ● Customized Functions

- Built-in or external counter
- TCP / IP communication

### ● Door open button

- External door open button.
- Install the door open button with wireless remote control.

### ● Lane width

- The lane width can be custom-made as larger size, and the maximum can be 900mm, **but the length might need to be changed accordingly.**

### ● Materials

- The material of housing can be 316 grade stainless steel, and the thickness of stainless steel can be customized.
- The material of swing gate can be organic glass, tempered glass, polycarbonate board and so on, and the color can be customized.

### ➤ System Integration

- Integrate with access control system and built-in reader provided by customers.
- **Integrate with visitor access control system.**
- **Integrate with ticketing system.**

### ★ Notes:

- (1) The product design and specifications are subject to change without prior notice.
- (2) Please contact us directly for special features customization.